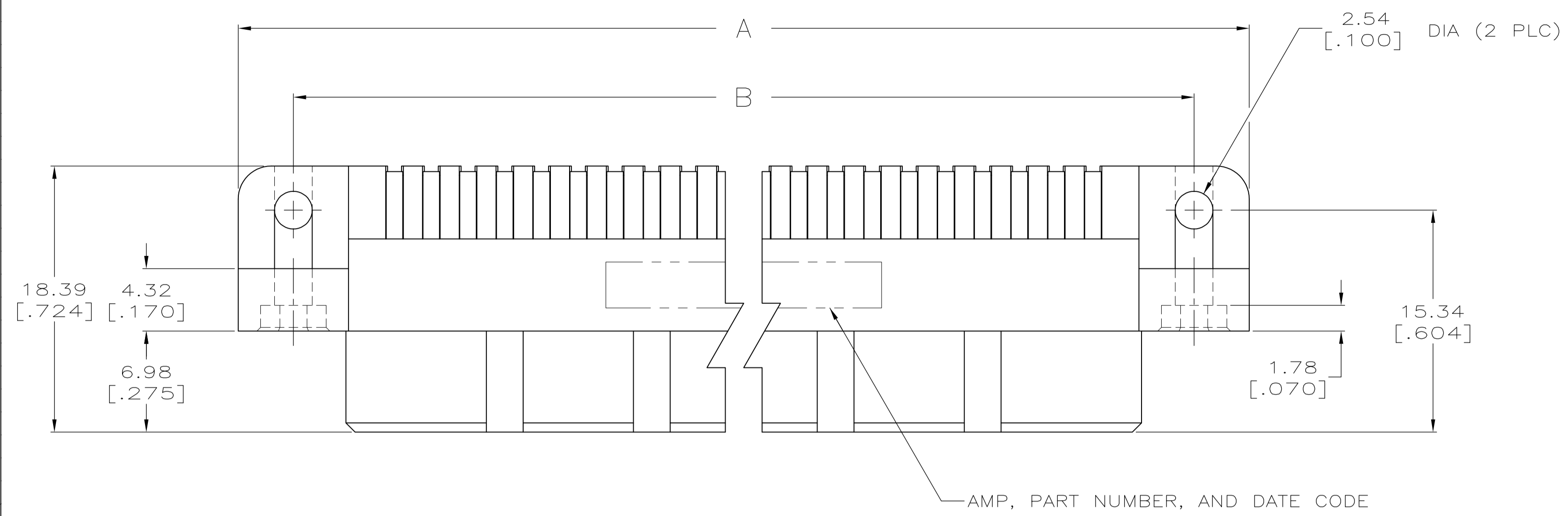
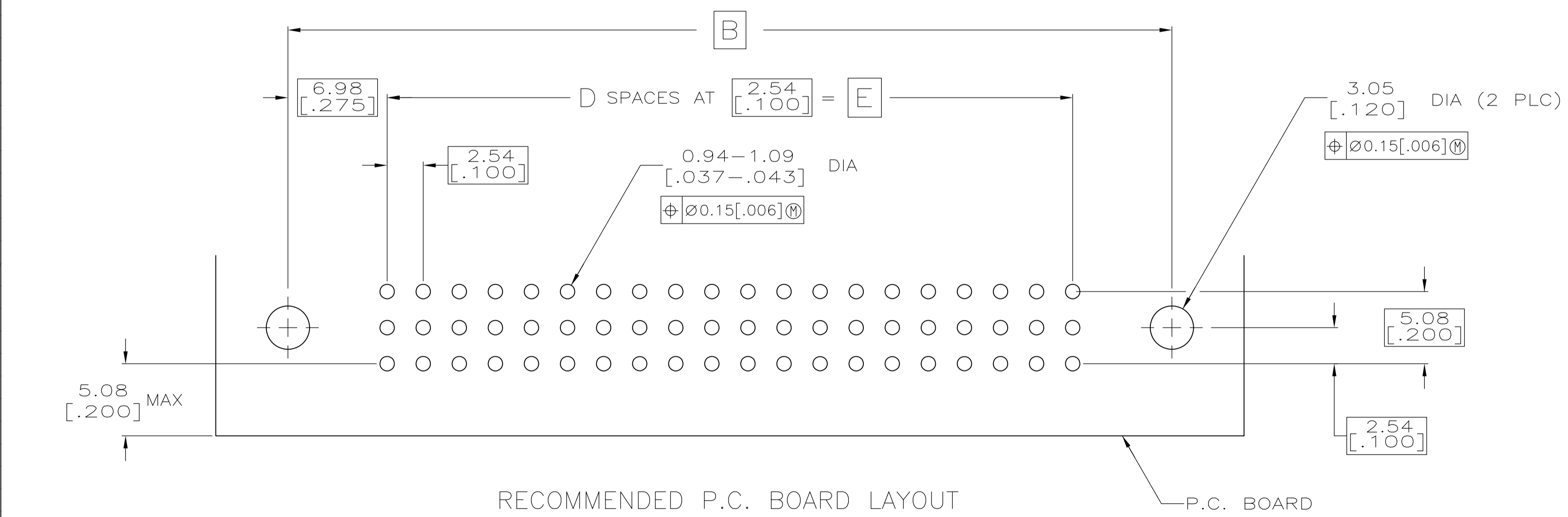
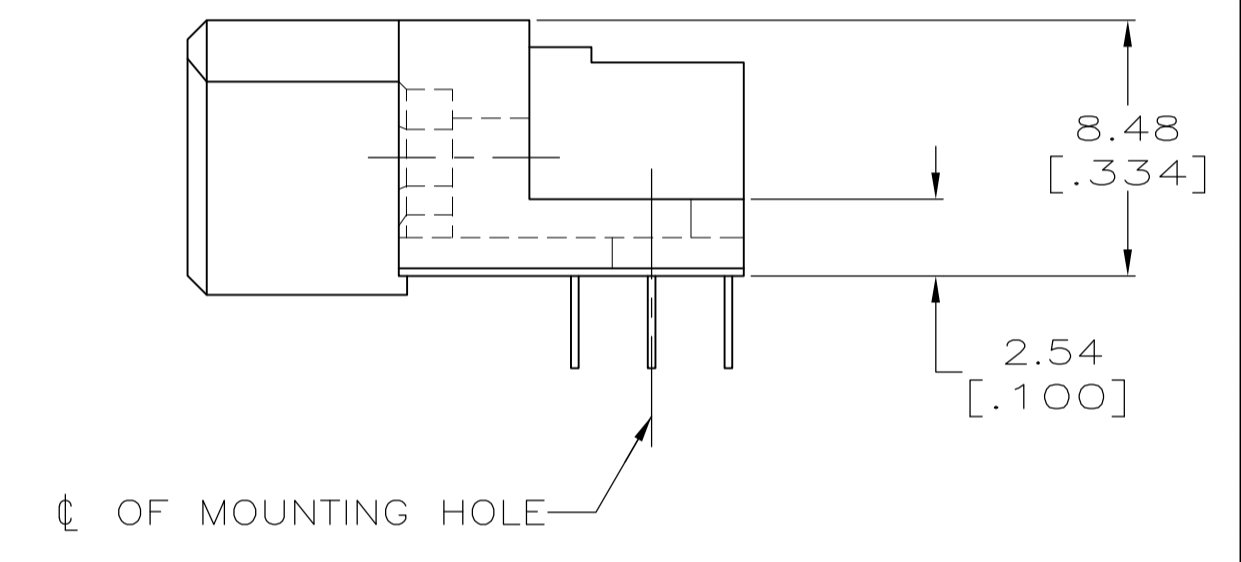
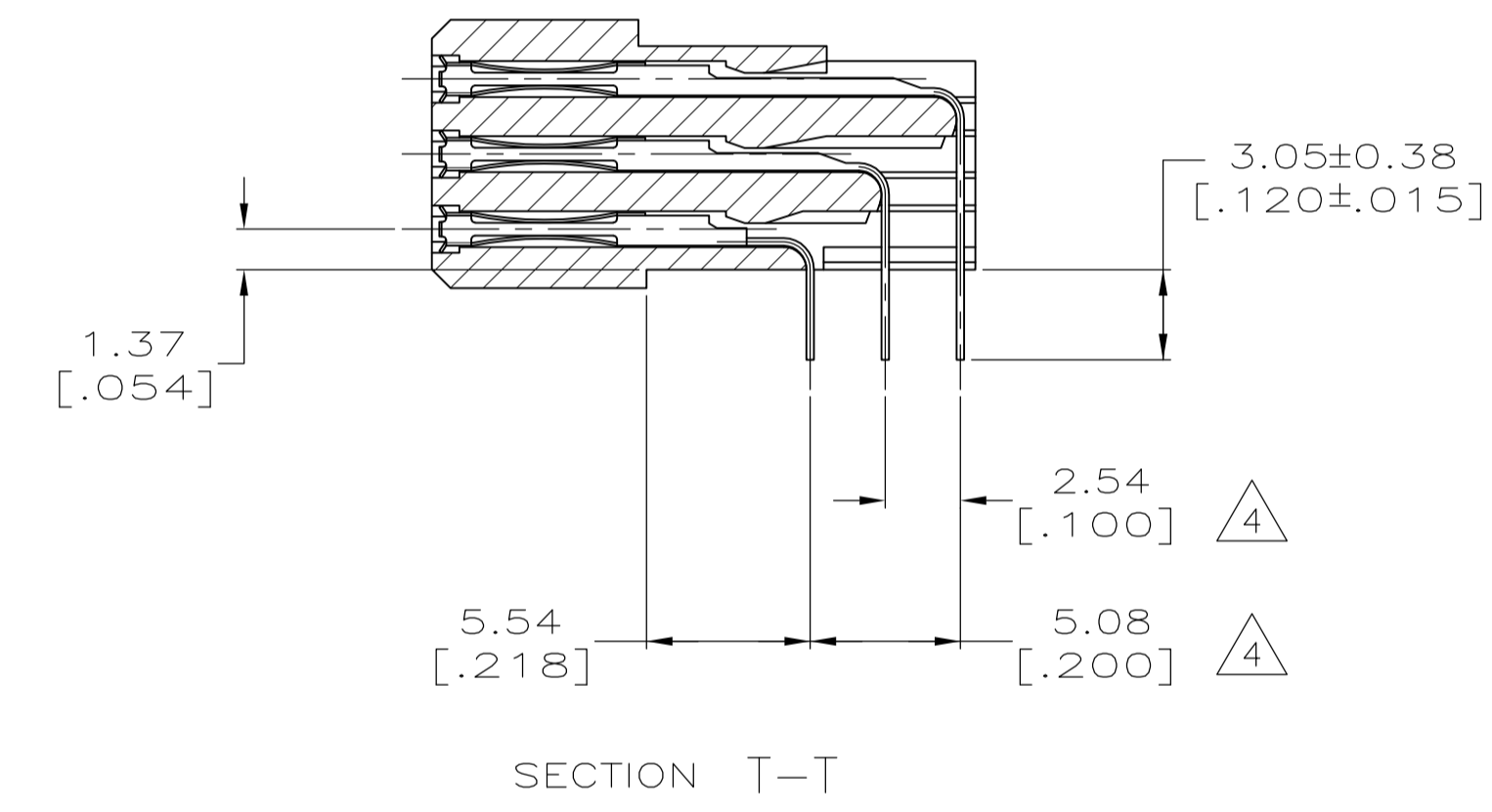
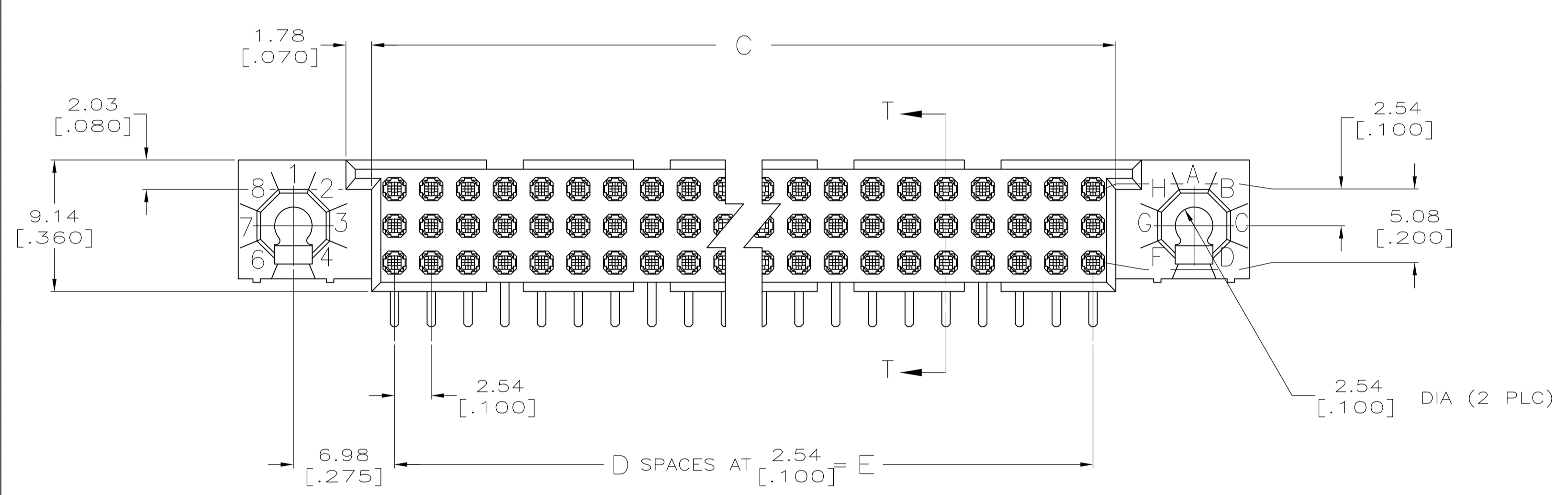


REVISONS		DATE	BY	APPD
0	RELEASE PER EC 0512-0034-05	10JUN05	JDP	AMS
01	REVISED PER ECO-09-024606	02NOV09	KK	AEG



- ① HOUSING MATERIAL: THERMOPLASTIC.
- ② CONTACT MATERIAL: COPPER ALLOY.
- ③ CONTACT FINISH: .00127-.00254 [.000050-.000100] NICKEL UNDERPLATE ALL OVER; .00076 [.000030] GOLD PLATE IN CONTACT AREA, TIN PLATED SOLDER TAILS.
- ④ SOLDER TAILS MUST FIT HOLE PATTERN AS SHOWN ON THE RECOMMENDED P.C. BOARD LAYOUT.
- ⑤ HOUSINGS WITH CENTER MOUNTING IS RECOMMENDED FOR ASSEMBLIES HAVING 75 CONTACTS PER ROW OR MORE.
- ⑥ OBSOLETE PARTS: OBSOLETE CIS STREAMLINING PER D.RENAUD/D.SINISI



POSN	A	B	C	D	E	PART NUMBER
240	222.25 [8.750]	214.63 [8.450]	203.81 [8.024]	79	200.66 [7.900]	1-5533268-3
225	209.55 [8.250]	201.93 [7.950]	191.11 [7.524]	74	187.96 [7.400]	1-5533268-2
180	171.45 [6.750]	163.83 [6.450]	153.01 [6.024]	59	149.86 [5.900]	5533268-9
165	158.75 [6.250]	151.13 [5.950]	140.31 [5.524]	54	137.16 [5.400]	5533268-8
150	146.05 [5.750]	138.43 [5.450]	127.61 [5.024]	49	124.46 [4.900]	5533268-7
135	133.35 [5.250]	125.73 [4.950]	114.91 [4.524]	44	111.76 [4.400]	5533268-6
120	120.65 [4.750]	113.03 [4.450]	102.21 [4.024]	39	99.06 [3.900]	5533268-5
96	100.33 [3.950]	92.71 [3.650]	81.89 [3.224]	31	78.74 [3.100]	5533268-3

THIS DRAWING IS A CONTROLLED DOCUMENT.

DIMENSIONS: mm [INCHES]

TOLERANCES UNLESS OTHERWISE SPECIFIED:

0 PLC	± .001
1 PLC	± .002
2 PLC	± .003
3 PLC	± 0.13[.005]
4 PLC	± .005
ANGLES	± .1°

MATERIAL: ① ② FINISH: ③

THIS DRAWING IS A CONTROLLED DOCUMENT. DIN J. POLIGNONE 10JUN05
 CJK A. SHARPE 10JUN05
 APVD A. SHARPE 10JUN05

Tyco Electronics Corporation
 Harrisburg, Pa 17105-3608

ASSEMBLY, RECEPTACLE, RIGHT ANGLE, HDI, LEAD-FREE, 3 ROW, WITHOUT GUIDES, 3.05[.120] SOLDER TAILS

SIZE: A1 00779 C=5533268
 WEIGHT: -
 CUSTOMER DRAWING SCALE: 4:1 SHEET: 1 OF 1 REV: 01